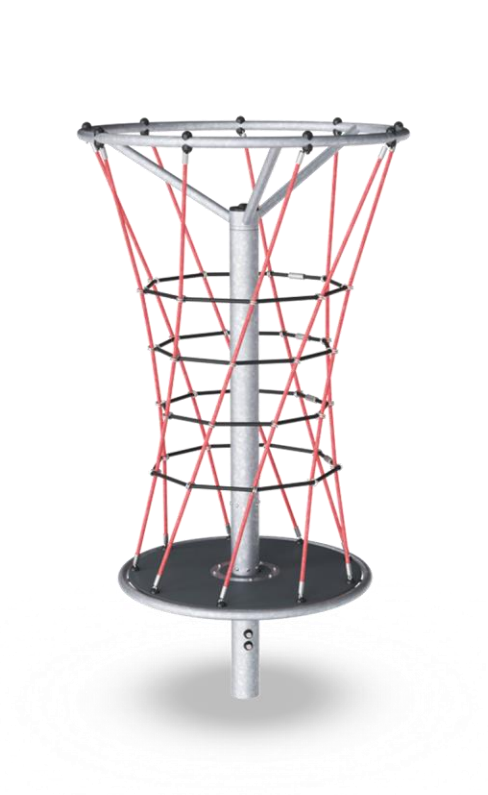
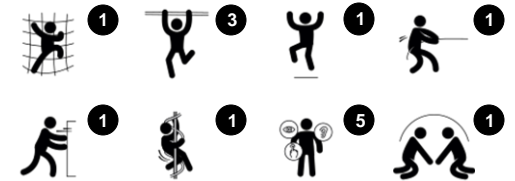


# Net Twister

COR20301



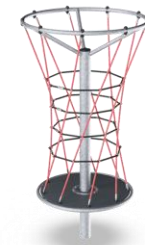
Item no. COR203011-1101	
General Product Information	
Dimensions LxWxH	155x155x280 cm
Age group	5+
Play capacity (users)	10
Colour options	



The Net Twister's red, vertical rope attracts children to play and climb to the top, and the fun of rotating makes them return for more again and again. The Net Twister provides play for children of different ages encouraging social play across different age groups. It's a particular favourite for older children who love challenging play as it is a perfect meeting place

where they can stand, sit and chat while spinning. When climbing to the top, down and around, pushing and pulling the net twister and then jumping off, children develop their motor skills, balance, muscle strength and bone density. The cooperation and negotiation of who does what to spin the twister net trains social-emotional skills such as turn-taking,

tolerance and empathy. The playful way to important life skills.



# Net Twister

COR20301



## Big meshes

**Physical:** the big meshes allow for climbing and crawling, supporting proprioception, cross coordination and spatial awareness. Climbing here takes muscle strength, pushing and pulling arms to get upwards.

**Social-emotional:** allow more children being seated together, sharing.



## Rotation

**Physical:** pushing or pulling it into motion, children use their muscle strength and strengthen their cardio. The rotation develops the sense of balance and space when enjoying the ride.

**Social-emotional:** listening and negotiating how slow or fast to go, children develop their empathy and cooperation skills.



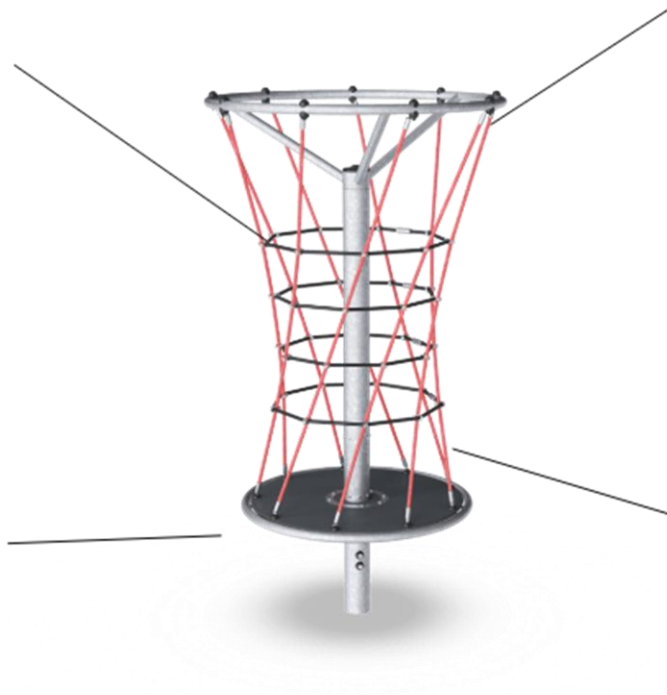
## Height

**Social-emotional:** children develop courage and self-regulation when being up high. This positively affects self-confidence.



## Climbing net

**Physical:** the net allows for climbing around, which supports motor skills, proprioception and spatial awareness. Children use muscle strength of arms, legs, and core when climbing.



# Net Twister

COR20301



Corocord ropes with 19mm diameter or more are special 'Hercules' - type with galvanised six-stranded steel wires. Each strand is tightly wrapped with PES yarn, which is melted onto each individual strand. The ropes are highly wear-and vandalism-resistant and can be replaced at site if needed.



Corocord 'S' clamps are used as universal connections in Corocord products. 8mm stainless steel rods with rounded edges are pressed around the ropes with a special hydraulic press, making them the ideal connector: safe, durable and vandalism-proof, all while allowing the typical movement of rope play structures.



Heavy duty engineered bearing system with single row deep groove ball bearings with rubber seals. The fully closed bearing construction is lifetime lubricated and maintenance free. The Bearing system has an integrated drag brake according to global safety standards.



All decks are supported by a unique steel construction with multiple deck supports and fixations. The HPL decks with a thickness of 17.8mm have a very high wearing strength and feature a unique KOMPAN non skid surface texture.



The steel posts are hot dip galvanised inside and outside with lead free zinc. The galvanisation has excellent corrosion resistance in outside environments and requires low maintenance.

Item no. COR203011-1101

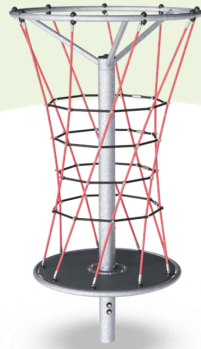
### Installation Information

Max. fall height	280 cm
Safety surfacing area	53,4 m <sup>2</sup>
Number of installers	2
Total installation time	4,5
Excavation volume	1,10 m <sup>3</sup>
Concrete volume	0,70 m <sup>3</sup>
Footing depth (standard)	110 cm
Shipment weight	378 kg
Anchoring options	In-ground ✓

### Warranty Information

Hot dip galvanised steel	Lifetime
HPL decks	15 years
Corocord rope	10 years
Movable parts	2 years
Spare parts guaranteed	10 years





Cradle to Gate A1-A3	Total CO <sub>2</sub> emission	CO <sub>2</sub> e/kg	Recycled materials
	kg CO <sub>2</sub> e	kg CO <sub>2</sub> e/kg	%
<b>COR203011-1101</b>	672,80	2,69	41,70

The overall framework applied for these factors is the Environmental Product Declaration (EPD), which quantifies "environmental information on the life cycle of a product and enable comparisons between products fulfilling the same function" (ISO, 2006). This follows the structure and applies a Life-Cycle Assessment approach to the entire Product stage from raw material through manufacturing (A1-A3))

**Kompan A/S**  
 C.F. Tietgens Boulevard 32C  
 DK-5220 Odense SØ  
 Denmark



### Validation of CO<sub>2</sub> calculation of: Corocord



Data version no. 2021-09-27

The CO<sub>2</sub> calculation and data are in compliance with the principles of a carbon footprint impact according to the GHG protocol (Greenhouse Gas Protocol), Scope 3, cradle to gate related to all individual components in the product category: "Corocord" represented by item no.: COR314011-1101.

(Scope 3 emissions include emission sources in the upstream and downstream value chain).

**Date: 15. October 2021 | Valid until: 15. October 2023**

Validated by:

Bente Hviid, Senior Consultant

Peter Bendtsen, Senior Consultant

Validation based on report: Validation of CO<sub>2</sub> calculation of 8 categories of Kompan product line, version 1.0, prepared by: Bureau Veritas HSE, Denmark: Bente Hviid and Peter Bendtsen.

**Publication date: 15. October 2021**

By Bureau Veritas HSE  
 www.bureauveritas.dk  
 +45 7731 1000

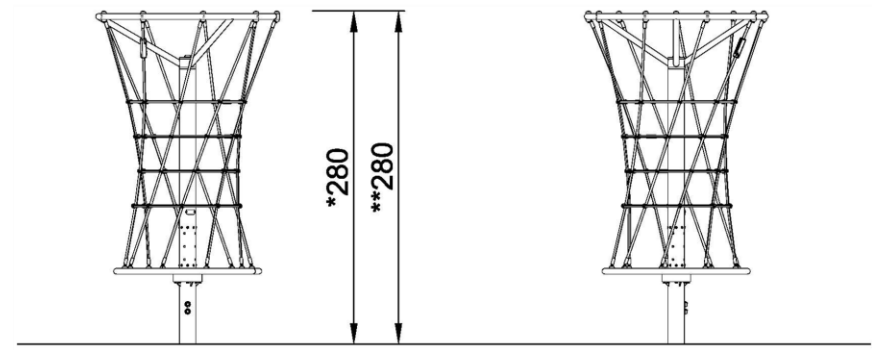
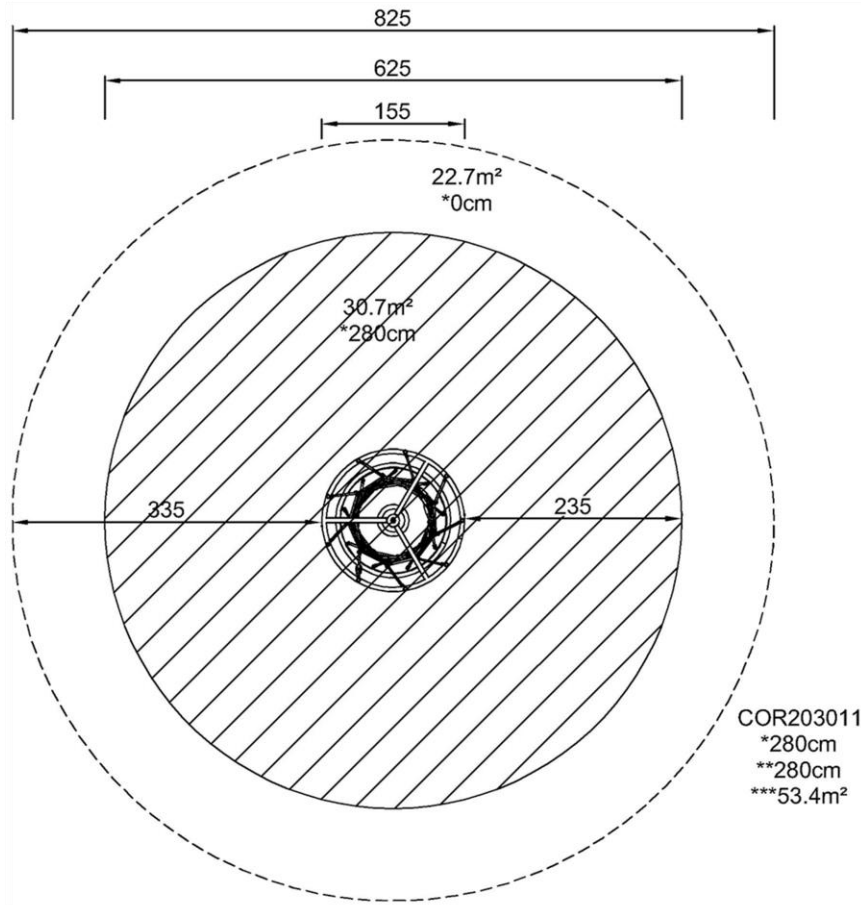


# Net Twister

COR20301

\* Max fall height | \*\* Total height | \*\*\* Safety surfacing area

\* Max fall height | \*\* Total height



COR203011  
1:100

[Click to see 1:100 ratio TOP VIEW](#)

[Click to see 1:100 ratio SIDE VIEW](#)