



SURFACE CHALLENGE 3

FSW22400



Item no. FSW22400-0902

General Product Information

Dimensions LxWxH	101 x 431 x 105 cm
Age Group	13+
Capacity	5 adults
Colour Options	 



One of the major problems for elderly people is falling. These accidents often happen because the elderly person is not able to overcome or react to minor changes in the surface. The surface challenge gives the opportunity to, under safe conditions, train to overcome typical obstacles found in nature and urban environments. Some of the challenges here

focuses on the important toe-lift. Either on small obstacles or bigger ones like the curb. Other challenges focus on ankle- and overall foot control. Finally, the different surfaces and materials stimulate sensory feedback which also enhances gait stability.

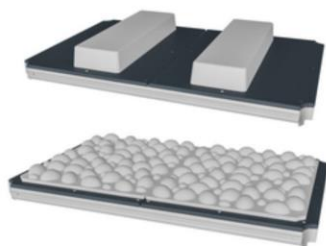


SURFACE CHALLENGE 3

FSW22400



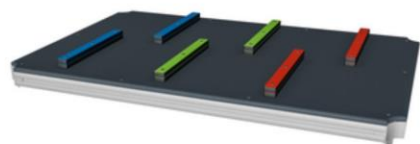
The Robinia bars are made from de-barked and sap free Robinia trunks in various dimensions. Robinia is a native European wood species with high strength and natural durability in various climatic conditions. KOMPAN uses wood from FSC-certified sources.



The stone surface is made from polymer concrete (polyester concrete), which is a mixture of sand, gravel and dust mixed with polyester. The material is five times stronger and more waterproof than ordinary concrete, which gives it a very long lifespan and very low maintenance.



Handrail intended as grips during exercises are made of hot-dip galvanized steel Ø38 mm, a great diameter for a good grip and to support the wrist. The height of the handrail is 940mm from the top of the HPL plate. The distance between the rails is 900mm



All challenges are mounted on HPL plates of 1396x896x18mm. High-pressure laminate plates (HPL) have a molded-in non-skid surface and HPL is a homogenous material with a very high wear resistance.



All KOMPAN fitness products are designed according to the ASTM F3101 & EN16630 Outdoor Fitness Standards. Load tests are performed as a static test by adding dynamic factors as well as safety factors to the specified load of 78 kg per user. A product intended for 1 user is loaded with 420kg.



The information sign is made of a PA6 (Polyamide) and shows the most relevant exercise and a QR code. When scanned the QR code will link to an animated illustration of the exercise and offers the possibility of downloading the KOMPAN sport & fitness App, which will provide a large amount of exercises and workouts.

Item no. FSW22400-0902

Installation Information

Max. fall height	20 cm
Safety surfacing area	271 m ²
Numbers of Installers (persons)	2
Total installation time	8
Excavation volume	0.23 m ³
Concrete volume	0.1 m ³
Footing Depth (Standard)	90 cm
Shipment Weight	372 kg
Anchoring options	In-ground ✓ Surface ✓

Warranty information

Galvanised Structural Parts	Lifetime
Post	10 Years
Floors (decks)	10 Years
Connectors	10 Years
Spare parts guaranteed	10 Years

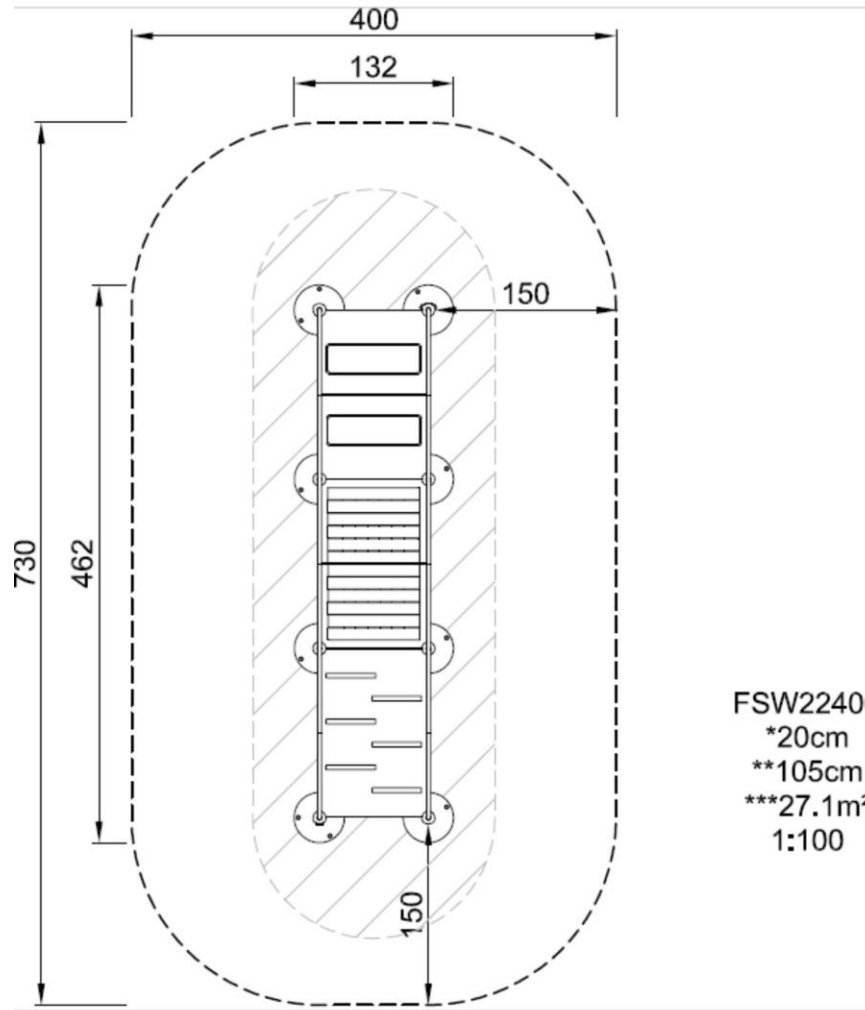


SURFACE CHALLENGE 3

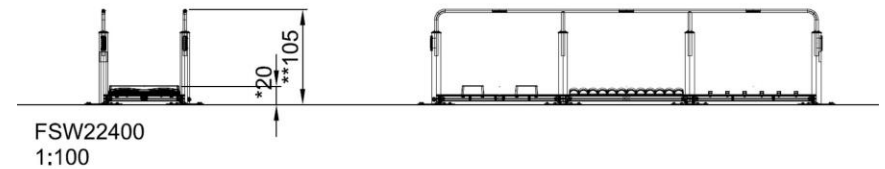
FSW22400

Max fall height | Total height | Safety surfacing area

Max fall height | Total height



FSW22400
*20cm
**105cm
***27.1m²
1:100



[Click to see 1:100 ratio TOP VIEW](#)

[Click to see 1:100 ratio SIDE VIEW](#)