

Mega Deck with Roof

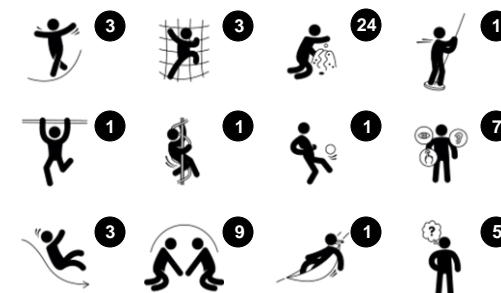
PCM100831



Item no. PCM100831-0901

General Product Information

Dimensions LxWxH	477x394x320 cm
Age group	2+
Play capacity (users)	19
Colour options	



The Mega Deck is a circle of play for all: everyone will find something to do, on either play level. This makes for a wildly appealing play unit that makes children come back for more, again and again. There is a richness of tactile activities. At ground level offers climbing, swaying and playing with the music panel. The stair or the climbing wall lead the child up,

training cross-coordination in both cases. This is an important motor skill: alternate use of left and right body half trains cooperation of the left and right side of the brain, fundamental for later reading skills. The double slide thrills and trains core muscles and balance as toddlers go down. There is room for a carer, too. For all children the curly climber adds a great rotating sliding

experience, stimulating the spatial awareness as the child winds downwards.



Data is subject to change without prior notice.

Mega Deck with Roof

PCM100831



Curly climber

Physical: coordination and proprioception are supported when placing arms and legs correctly for going down. Sense of balance when rotating. Arm muscles for holding tight.

Social-emotional: empathy stimulated by turn-taking.

Cognitive: logical thinking when placing arms and legs right for rotating downwards.



Hammock

Physical: coordination and sense of balance when swaying.

Social-emotional: meeting, pushing friends gently back and forth, turn-taking.

Cognitive: for toddlers cause and effect understanding.



Xylophone music panel

Social-emotional: invites social interaction and co-creation for more children, on both sides.

Cognitive: understanding of cause and effect when striking tubes and creating sound.

Creative: the creation of different intensity and tonality stimulates



Play spheres

Social-emotional: can be played from both sides, encouraging cooperation.

Cognitive: cause and effect understanding.

Creative: leave a mark and place the spheres at different positions.



Tic-tac-toe panel

Social-emotional: stimulates communication and turn-taking skills.

Cognitive: support rules understanding, strategic thinking.

Creative: leaving marks when tumblers are left in new positions.



Rock climber

Physical: supports cross coordination and leg, arm and hand strength.

Social-emotional: the inclination makes climbing feel secure, especially for younger children.



Double slide

Physical: sliding develops spatial awareness and a sense of balance. Furthermore, the core muscles are trained when sitting upright going down.

Social-emotional: invites socializing, supports parent-child and peer-to-peer play.

Cognitive: young children train their



Accessible stairway

Physical: climbing the accessible stairway is for all and supports cross coordination as well as arm and leg muscles. For young children, walking stairs and alternating feet is developed.

Social-emotional: room for active



Mega Deck with Roof

PCM100831



Panels of 19mm EcoCore™. EcoCore™ is a highly durable, eco friendly material, which is not only recyclable after use, but also consists of a core produced from 100% recycled post consumer material from food packing waste.



Main posts with hot dip galvanized steel footing are available in different materials: Pressure impregnated pine wood posts. Pre-galvanized inside and outside with powder coated top finish steel posts. Lead free aluminum with color anodized top finish. Greenline TexMade posts of 100% post-consumer recycled PE and textile waste.



All decks are supported by unique designed low-carbon aluminum profiles with multiple attachment options. The grey colored molded decks are made of 75% post-consumer ocean waste PP material with a non-skid pattern and texture surface.



The slides can be chosen in different materials and colors: Straight or curved one-piece molded PE slides in yellow or grey color. Combined EcoCore™ sides and stainless-steel. Full stainless steel in one-piece design for more vandalism proof solutions.



The stainless-steel activities are made of high-quality stainless steel. The steel is cleaned by a total pickling process after manufacturing to ensure a smooth and clean gliding surfaces.



KOMPAN GreenLine versions are designed with ultimate environmentally friendly materials with lowest possible CO2e emission factor. TexMade post, EcoCore™ panels of 100% post consumer recycled ocean waste and molded PP decks.

Item no. PCM100831-0901

Installation Information

Max. fall height	204 cm
Safety surfacing area	37,6 m ²
Number of installers	2
Total installation time	23,2
Excavation volume	0,83 m ³
Concrete volume	0,02 m ³
Footing depth (standard)	85 cm
Shipment weight	706 kg
Anchoring options	

Warranty Information

EcoCore HDPE	Lifetime
Post	10 years
10 years	
Ropes & nets	10 years
Spare parts guaranteed	10 years





Cradle to Gate A1-A3	Total CO ₂ emission	CO ₂ e/kg	Recycled materials
	kg CO ₂ e	kg CO ₂ e/kg	%
PCM100831-0901	1.512,98	2,60	47,09
PCM100831-0950	1.262,04	2,01	60,26

The overall framework applied for these factors is the Environmental Product Declaration (EPD), which quantifies "environmental information on the life cycle of a product and enable comparisons between products fulfilling the same function" (ISO, 2006). This follows the structure and applies a Life-Cycle Assessment approach to the entire Product stage from raw material through manufacturing (A1-A3))

Kompan A/S
 C.F. Tietgens Boulevard 32C
 DK-5220 Odense SØ
 Denmark

Validation of
 CO₂ calculation
 BUREAU VERITAS
 HSE Denmark AIS



Validation of CO₂ calculation of play module item no. PCM200309-0010.



Data version no. 2021-01-11

The CO₂ calculation and data are in compliance with the principles of a carbon footprint impact according to the GHG protocol (Greenhouse Gas Protocol), Scope 3, cradle to gate related to all individual components in the play module item no. PCM200309-0010. (Scope 3 emissions include emission sources in the upstream and downstream value chain).

Date: 25. January 2021

Validated by:

Bente Nesting, Senior Consultant

Peter Bendtsen, Senior Consultant

Validation based on report: Validation of CO₂ calculation of play module – Kompan, version 1.0, prepared by: Bureau Veritas HSE, Denmark: Bente Hviid Nesting and Peter Bendtsen

Publication date: 25. January 2021

By Bureau Veritas HSE
 www.bureauveritas.dk
 +45 7731 1000

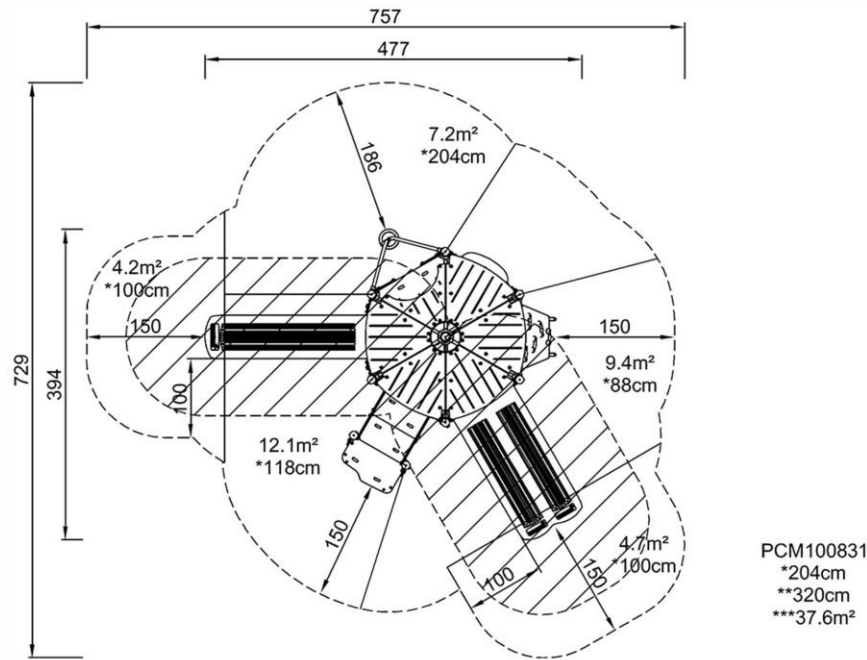


Mega Deck with Roof

PCM100831

* Max fall height | ** Total height | *** Safety surfacing area

* Max fall height | ** Total height



[Click to see 1:100 ratio TOP VIEW](#)

[Click to see 1:100 ratio SIDE VIEW](#)