


# Porsche 4Kids, 911 Classic

KPB50101

**KOMPANI**

Item no. KPB50101-0501

## General Product Information

Dimensions LxWxH	210x105x88 cm
Age group	6m+
Play capacity (users)	4
Colour options	



The Porsche car signals play loud and clear and attracts toddlers again and again. It's cute, rounded shapes and vibrant colours are highly appealing. And the manipulative steering wheel and gear can be handled and turned again and again. The car features a compartment that is relatively open at the front,

providing ample seating and inviting children to play together. The themes of traffic and cars are well-known to toddlers. They take a starting point in the toddlers' near world and open the scope of going into the wider world. Dramatic play scenarios are played out repeatedly in the Porsche. This is an important

contribution to the development of language skills and literacy.



Data is subject to change without prior notice.

# Porsche 4Kids, 911 Classic

KPB50101

KOMPANI<sup>®</sup>



## Theme

**Cognitive:** suggests a theme and supports dramatic play, which stimulates language and communication skills.



## Open space

**Social-Emotional:** the open space allows for more children to be together and share. Important life skills like courage, self-confidence, consideration and turn-taking are built.



## Gear shift

**Social-Emotional:** cooperation, turn-taking, sharing. **Cognitive:** suggests a theme and supports dramatic play, which stimulates languages skills.

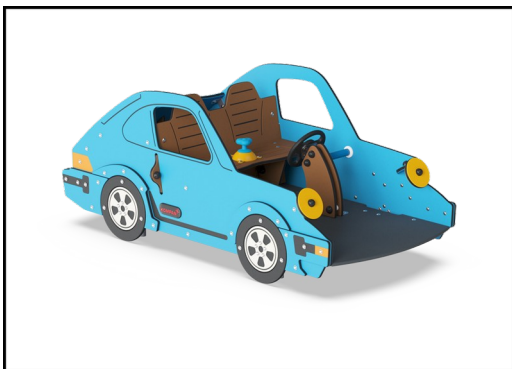


## Turning wheel

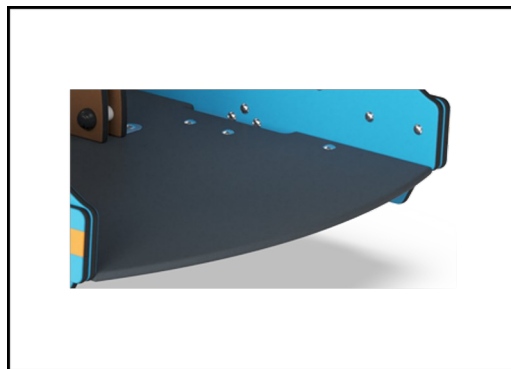
**Social-Emotional:** develops turn-taking, communication and cooperation. **Cognitive:** the manipulative item stimulates cause and effect understanding, logical thinking and communication. **Creative:** working with moveable play items that can leave a mark supports the child's creativity.

# Porsche 4Kids, 911 Classic

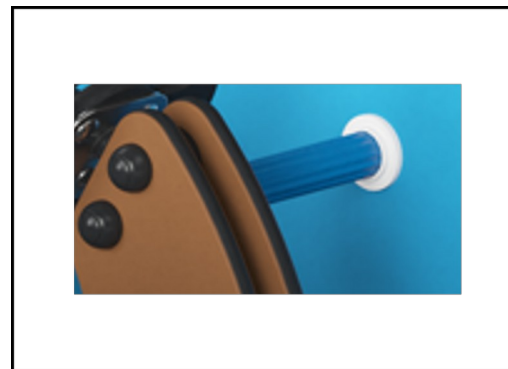
KPB50101



Panels of 19mm EcoCore™. EcoCore™ is a highly durable, eco friendly material, which is not only recyclable after use, but also consists of material produced from +95% recycled post consumer material from food packing waste.



Foot support is made of HPL with a thickness of 17,8mm with a very high wearing strength and a unique KOMPAN nonskid surface texture.



Handle is made of polypropylene PP with excellent impact strength and usable within a large temperature span.



Gear shift is made of PP. PP has good wearing and impact resistance.



The Porsche cars are available in six different colors.



Iconic cars designed by KOMPAN under license of Porsche AG.

Item no. KPB50101-0501

### Installation Information

Max. fall height	20 cm
Safety surfacing area	18.4 m <sup>2</sup>
Total installation time	5.6 hours
Excavation volume	0.32 m <sup>3</sup>
Concrete volume	0.00 m <sup>3</sup>
Footing depth (standard)	50 cm
Shipment weight	217 kg
Anchoring options	In-ground ✓ Surface ✓

### Warranty Information

EcoCore HDPE	Lifetime
HPL decks	15 years
Hot dip galvanised steel	Lifetime
PE/PP components	5 years
Spare parts guaranteed	10 years

**EN**  
**1176**  
compliant

# Sustainability Data

KPB50101



## Cradle to Gate A1-A3

### Total CO<sub>2</sub> emission

CO<sub>2</sub>e/kg

### Recycled material

kg CO<sub>2</sub>e

kg CO<sub>2</sub>e/kg

%

**KPB50101-0501**

407.81

2.78

58.73

The overall framework applied for these factors is the Environmental Product Declaration (EPD), which quantifies "environmental information on the life cycle of a product and enable comparisons between products fulfilling the same function" (ISO, 2006). This follows the structure and applies a Life-Cycle Assessment approach to the entire Product stage from raw material through manufacturing (A1-A3))



## Independent review certificate

Kompan A/S  
C. F. Tietgens Blvd. 32C, 5220 Odense SØ

Bureau Veritas hereby attests that the CO<sub>2</sub>e-calculations (covering materials, processing, waste and transport) done by Kompan for "Themed Play Systems", meet the requirements set by the listed standard.

Kompan A/S uses a selection of EPDs and emission factors from the Life Cycle Assessment database Ecoinvent 3.11. These values are reported as kg CO<sub>2</sub>e, with all other impact categories excluded in line with the scope of ISO 14067:2018. The emission factors cover, material use, manufacturing processes, transport to Kompan, and electricity used during manufacturing. The presented emissions fall under GHG Protocol scope 3 emissions. Scope 1 and 2 are not presented. Scope 3 emissions include emission sources in the upstream value chain of a company, downstream emissions are excluded in this analysis.

Method: ISO 14067:2018 using GHG protocol guidance documents, reported as kg CO<sub>2</sub>e.

### Object

The verification has been done on the one pager "MSC542401-3417P" version: 27-10-2025. The supporting documentation "KOMPAN data\_updated emissions factors\_2025\_V2" and "Emissions factors, EPD's and ecoinvent 3.11\_2025" was also reviewed and approved.

### Declaration

The verification has been completed as a critical review with a limited assurance. I hereby confirm that nothing has come to the reviewer's attention which would lead to conclude that the study does not give an accurate depiction or isn't completed following method of the CO<sub>2</sub>e calculation, the requirements of ISO 14067:2018, and 14071:2024, in the above referenced documentation.

**Note:** This verification only covers calculation elements according to method described in ISO 14067:2018 and may not be seen as a Life Cycle Assessment according to ISO 14067:2018.

**Ref.:** Kompan\_Verification report 2025, 28-10-2025

**Date of certificate:** 29-10-2025

**Expire date:** 29-10-2027

**Verified by:** Julie Marie Vejsgaard Larsen, Environmental Auditor

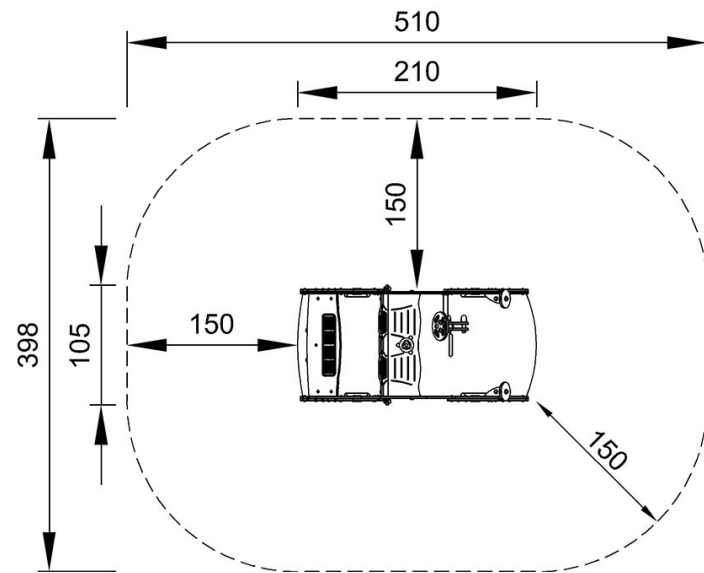
**Signature:**

# Porsche 4Kids, 911 Classic

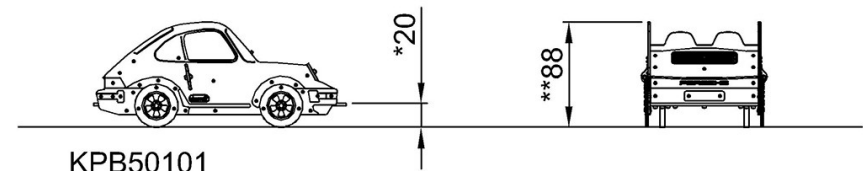
KPB50101

\* Max fall height | \*\* Total height | \*\*\* Safety surfacing area

\* Max fall height | \*\* Total height



KPB50101  
\*20cm  
\*\*88cm  
\*\*\*18.4m<sup>2</sup>



KPB50101

[Click to see TOP VIEW](#)

[Click to see SIDE VIEW](#)