

# Moss Hill

CRP200201

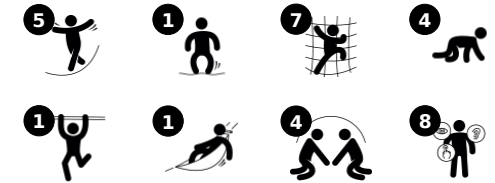
**KOMPANI**



Item no. CRP200201-0903

## General Product Information

Dimensions LxWxH	549x394x297 cm
Age group	2+
Play capacity (users)	17
Colour options	



The cute play panels, the play shell climber and the spacious inclined nets of the Moss Hill invite for hours of toddler play, again and again. The many details of the panels and the curvy spaciousness of the play shell climber invite social play and cooperation. Climbing over and under the play shells and not least the

spacious spider net incorporates an understanding of space, shape and measures in toddlers. This understanding is basic in understanding mathematics. Climbing and crawling the bouncy net and rope train cross-coordination skills and spatial awareness, which are crucial in navigating the world confidently and

securely. The many opportunities to play together in smaller and bigger groups make the Moss Hill a fine play piece to help children negotiate and show consideration of others, which are important social-emotional skills that are instrumental in building friendships.



Data is subject to change without prior notice.

# Moss Hill

CRP200201

KOMPANI®



## Play shell climber stack

**Physical:** balancing on the play shells and walking from one to another across the tubes trains cross-coordination and the sense of balance, which benefits body and posture control. **Social-Emotional:** meeting and communicating in smaller or larger groups, a possible place to retract from demanding physical play.



## Shop Play Panel

**Physical:** the hole allows for climbing and crawling through, developing cross-coordination, proprioception and spatial awareness. **Social-Emotional:** cooperation and turn-taking. Sharing and cooperation from both sides create a social scenario that supports communication and cooperation. **Cognitive:** understanding space, shape and measures when seeing if the body fits through the hole.



## House Play Panel

**Social-Emotional:** invites interaction and social play. **Cognitive:** the house theme invites dramatic play scenarios, stimulating language and communication.



## Forrest Spidernet

**Physical:** cross-coordination, balance and spatial awareness are trained when climbing the net. All major muscles are used when crossing the net and using the middle rope as a swaying support. **Social-Emotional:** the big meshes allow for more children to be seated together, sharing. Children cooperate and turn-take when passing each other. **Cognitive:** cause and effect understanding is supported by the bouncing effect of others' movements.

# Moss Hill

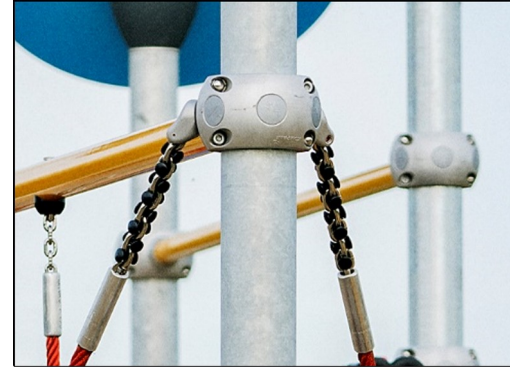
CRP200201



Ropes of UV-stabilized PES rope strands with inner steel cable reinforcement. The polyester yarn is made from +95% post-consumer materials and is inductively melted onto each strand.



Corocord 'S' clamps are used as universal connections in Corocord products. 8mm stainless steel rods with rounded edges are pressed around the ropes with a special hydraulic press, making them the ideal connector: safe, durable and vandalism-proof, all while allowing the typical movement of rope play structures.



Corocord smart clamps are carefully designed in every detail to ensure superior flexibility in high quality aluminum material. The smart clamps are attached around the posts with four steel bolts. Not used attachment points are closed with PA caps.



The steel surfaces are hot dip galvanized inside and outside with lead free zinc. The galvanisation has excellent corrosion resistance in outside environments and requires low maintenance.



Panels of 19mm EcoCore™. EcoCore™ is a highly durable, eco friendly material, which is not only recyclable after use, but also consists of material produced from +95% recycled post consumer material from food packing waste.



The large components are made of 100% recyclable PE made from 33% post consumer materials. Molded in one piece with minimum 5mm wall thickness to ensure high durability in all climates around the world.

Item no. CRP200201-0903

### Installation Information

Max. fall height	74 cm
Safety surfacing area	45.2 m <sup>2</sup>
Total installation time	13.4 hours
Excavation volume	2.12 m <sup>3</sup>
Concrete volume	0.74 m <sup>3</sup>
Footing depth (standard)	90 cm
Shipment weight	464 kg
Anchoring options	In-ground ✓ Surface ✓

### Warranty Information

EcoCore HDPE	Lifetime
Hot dip galvanised steel	Lifetime
Corocord rope	10 years
Hollow PE parts	10 years
Spare parts guaranteed	10 years



# Sustainability Data

CRP200201



## Cradle to Gate A1-A3

### Total CO<sub>2</sub> emission

### CO<sub>2</sub>e/kg

### Recycled material

kg CO<sub>2</sub>e

kg CO<sub>2</sub>e/kg

%

**CRP200201-0903**

1,755.12

5.46

52.88

The overall framework applied for these factors is the Environmental Product Declaration (EPD), which quantifies "environmental information on the life cycle of a product and enable comparisons between products fulfilling the same function" (ISO, 2006). This follows the structure and applies a Life-Cycle Assessment approach to the entire Product stage from raw material through manufacturing (A1-A3))



## Independent review certificate

Kompan A/S  
C. F. Tietgens Blvd. 32C, 5220 Odense SØ

Bureau Veritas hereby attests that the CO<sub>2</sub>e-calculations (covering materials, processing, waste and transport) done by Kompan for "Corocord", meet the requirements set by the listed standard.

Kompan A/S uses a selection of EPDs and emission factors from the Life Cycle Assessment database Ecoinvent 3.11. These values are reported as kg CO<sub>2</sub>e, with all other impact categories excluded in line with the scope of ISO 14067:2018. The emission factors cover, material use, manufacturing processes, transport to Kompan, and electricity used during manufacturing. The presented emissions fall under GHG Protocol scope 3 emissions. Scope 1 and 2 are not presented. Scope 3 emissions include emission sources in the upstream value chain of a company, downstream emission are excluded in this analysis.

Method: ISO 14067:2018 using GHG protocol guidance documents, reported as kg CO<sub>2</sub>e.

### Object

The verification has been done on the one pager "CRP302501-1101" version: 27-10-2025. The supporting documentation "KOMPAN data\_updated emissions factors\_2025\_V2" and "Emissions factors, EPD's and ecoinvent 3.11\_2025" was also reviewed and approved.

### Declaration

The review has been completed as a critical review with a limited assurance. I hereby confirm that nothing has come to the reviewer's attention which would lead to conclude that the study does not give an accurate depiction or isn't completed following method of the CO<sub>2</sub>e calculation, the requirements of ISO 14067:2018, and 14071:2024, in the above referenced documentation.

**Note:** This review only covers calculation elements according to method described in ISO 14067:2018 and may not be seen as a Life Cycle Assessment according to ISO 14067:2018.

**Ref.:** Kompan\_Verification report 2025, 28-10-2025

**Date of certificate:** 29-10-2025

**Expire date:** 29-10-2027

**Verified by:** Julie Marie Vejsgaard Larsen, Environmental Auditor

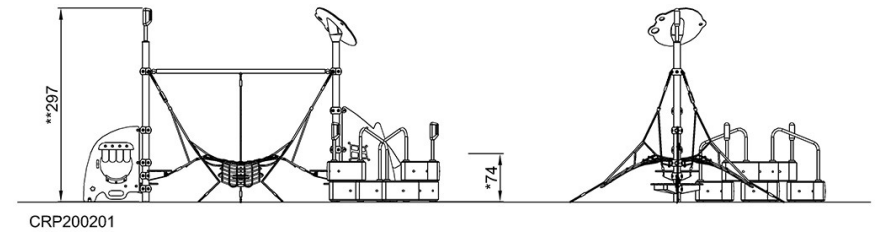
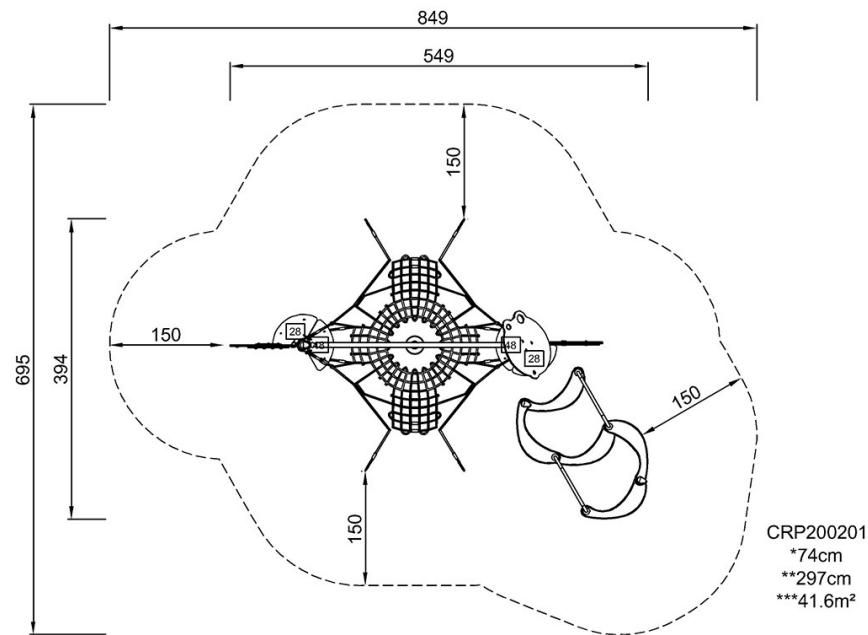
**Signature:**

# Moss Hill

CRP200201

\* Max fall height | \*\* Total height | \*\*\* Safety surfacing area

\* Max fall height | \*\* Total height



[Click to see TOP VIEW](#)

[Click to see SIDE VIEW](#)