


# Sand Box with Lids

KPL510

**KOMPANI**

Item no. KPL510-0401

## General Product Information

Dimensions LxWxH	470x120x38 cm
Age group	6m+
Play capacity (users)	12
Colour options	



This appealing Sand Box With Lids invites children to play for long periods of time. Thanks to the two lids, the sand box can be covered and protected. The lids also function as play tables and seats for parents or carers. Carers have seats, and more parents can be seated facing the sandbox to observe. This is well-known to

facilitate longer stays in the playground. The lids also create a space for the children where they can store toys or create their home, their shop, their workshop etc. Sand invites deep play. The changeable character of sand from when dry to when wet fascinates children. It additionally trains their tactile sense and

understanding of material character and nature phenomena. These are important life skills that help the child understand their surrounding world. In short, sand play helps to shape motor skills and cognition.



# Sand Box with Lids

KPL510



## Sandpit

**Cognitive:** sand play trains the sense of touch and helps children to understand the characteristics of different materials and their uses. Sand can be sieved when dry and shaped when wet.



## Lid

**Physical:** pushing and pulling the lids develops cross-coordination and muscles. **Social-Emotional:** meeting on the lids supports social interaction. **Cognitive:** supports cause-and-effect understanding when closing and opening lids. **Creative:** the lids can be placed in different positions and therefore can promote children's understanding of how they leave a mark, supporting creativity.

# Sand Box with Lids

KPL510



Boards are made of pine wood from sustainable European sources. The wood is pressure impregnated Class 3 with Tanalith E3475 according to EN335 (Equivalent to NTR Class AB).

Lids are made of 22 mm thick plywood made from alder and pine wood. Both sides are covered by 2 layers of phenolic film with anti slip net pattern. All cutting edges are sealed with paint to ensure long lifetime

Item no. KPL510-0401

## Installation Information

Max. fall height	38 cm
Safety surfacing area	30.4 m <sup>2</sup>
Total installation time	4.0 hours
Excavation volume	0.10 m <sup>3</sup>
Concrete volume	0.00 m <sup>3</sup>
Footing depth (standard)	40 cm
Shipment weight	140 kg
Anchoring options	In-ground ✓

## Warranty Information

Pinewood	10 years
Plywood	5 years
Spare parts guaranteed	10 years



# Sustainability Data

KPL510



Cradle to Gate A1-A3	Total CO <sub>2</sub> emission	CO <sub>2</sub> e/kg	Recycled material
	kg CO <sub>2</sub> e	kg CO <sub>2</sub> e/kg	%
<b>KPL510-0401</b>	141.32	1.28	2.22

The overall framework applied for these factors is the Environmental Product Declaration (EPD), which quantifies "environmental information on the life cycle of a product and enable comparisons between products fulfilling the same function" (ISO, 2006). This follows the structure and applies a Life-Cycle Assessment approach to the entire Product stage from raw material through manufacturing (A1-A3))



## Independent review certificate

Kompan A/S  
C. F. Tietgens Blvd. 32C, 5220 Odense SØ

Bureau Veritas hereby attests that the CO<sub>2</sub>e-calculations (covering materials, processing, waste and transport) done by Kompan for "Nature Play", meet the requirements set by the listed standard.

Kompan A/S uses a selection of EPDs and emission factors from the Life Cycle Assessment database Ecoinvent 3.11. These values are reported as kg CO<sub>2</sub>e, with all other impact categories excluded in line with the scope of ISO 14067:2018. The emission factors cover, material use, manufacturing processes, transport to Kompan, and electricity used during manufacturing. The presented emissions fall under GHG Protocol scope 3 emissions. Scope 1 and 2 are not presented. Scope 3 emissions include emission sources in the upstream value chain of a company, downstream emissions are excluded in this analysis.

Method: ISO 14067:2018 using GHG protocol guidance documents, reported as kg CO<sub>2</sub>e.

### Object

The verification has been done on the one pager "NRO40901-0601" version: 27-10-2025. The supporting documentation "KOMPAN data\_updated emissions factors\_2025\_V2" and "Emissions factors, EPD's and ecoinvent 3.11\_2025" was also reviewed and approved.

### Declaration

The verification has been completed as a critical review with a limited assurance. I hereby confirm that nothing has come to the reviewer's attention which would lead to conclude that the study does not give an accurate depiction or isn't completed following method of the CO<sub>2</sub>e calculation, the requirements of ISO 14067:2018, and 14071:2024, in the above referenced documentation.

**Note:** This verification only covers calculation elements according to method described in ISO 14067:2018 and may not be seen as a Life Cycle Assessment according to ISO 14067:2018.

**Ref.:** Kompan\_Verification report 2025, 28-10-2025

**Date of certificate:** 29-10-2025

**Expire date:** 29-10-2027

**Verified by:** Julie Marie Vejsgaard Larsen, Environmental Auditor

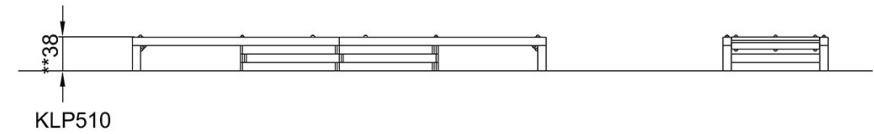
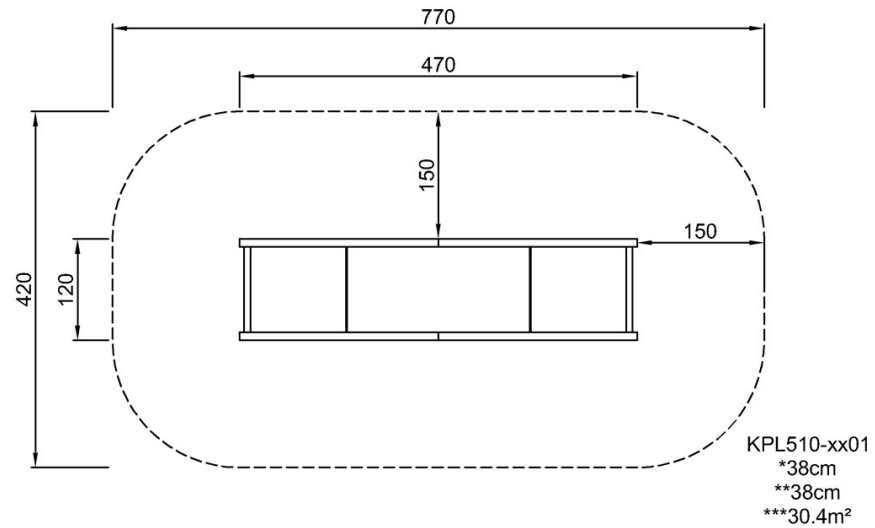
**Signature:**

# Sand Box with Lids

KPL510

\* Max fall height | \*\* Total height | \*\*\* Safety surfacing area

\* Max fall height | \*\* Total height



[Click to see TOP VIEW](#)

[Click to see SIDE VIEW](#)