



Grasshopper Seesaw, 2 Seats

KPW10201

KOMPANI®

Item no. KPW10201-0702

General Product Information

Dimensions LxWxH	312x38x101 cm
Age group	3+
Play capacity (users)	2
Colour options	 



The Seesaw is a playground classic. It still attracts players again and again, as it has done for generations. The vintage play item is still with us for a reason: the tickling in the stomach when going up high, then going down fast is eternally appealing. The Seesaw develops the sense of space and rhythm and leg

muscles of children. It helps crucial motor skills that help children navigate the world securely, e.g. in the street when estimating time, movement and objects. The social dimension and degree of trust in your peer that is demanded when see-sawing, is great training of socio-emotional life skills such as turn-taking

and cooperation. Empathy is trained as well, as players consider others' limits and limitations. Or as they get inspired to try out things they didn't dare to do before, because other children dare to.

Grasshopper Seesaw, 2 Seats

KPW10201



Handhold

Physical: the possibility to hold on tight enables intense rocking. This trains the hand and arm muscles.



Rocking spring

Physical: response to movements adds to spatial awareness and sense of balance. These are fundamental motor skills that help the child's ability to sit still on a chair which takes a good sense of balance.



Rocking together

Social-Emotional: the possibility of rocking two together trains cooperation skills. Consideration of others when rocking.

Grasshopper Seesaw, 2 Seats

KPW10201



Beams are made of pine wood from sustainable European sources. The wood is pressure impregnated Class 3 with Tanalith E3475 according to EN335 (Equivalent to NTR Class AB).

Seats of 19mm EcoCore™. EcoCore™ is a highly durable, eco-friendly material, which is not only recyclable after use, but is also made of +95% recycled post-consumer material from e.g., food packing waste in both core and colorful outer layer.

Powder coated top finish on top of steel with a thickness 70-120 µm.

Item no. KPW10201-0702

Installation Information

Max. fall height	112 cm
Safety surfacing area	11.3 m ²
Total installation time	2.7 hours
Excavation volume	0.60 m ³
Concrete volume	0.15 m ³
Footing depth (standard)	70 cm
Shipment weight	97 kg
Anchoring options	In-ground ✓ Surface ✓

Warranty Information

Pinewood	10 years
Galvanised/painted metal	10 years
HPL seat	15 years
Spare parts guaranteed	10 years

**EN
1176**
compliant

Sustainability Data

KPW10201



Cradle to Gate A1-A3

Total CO₂ emission

CO₂e/kg

Recycled material

kg CO₂e

kg CO₂e/kg

%

KPW10201-0702

173.05

2.03

46.47

The overall framework applied for these factors is the Environmental Product Declaration (EPD), which quantifies "environmental information on the life cycle of a product and enable comparisons between products fulfilling the same function" (ISO, 2006). This follows the structure and applies a Life-Cycle Assessment approach to the entire Product stage from raw material through manufacturing (A1-A3))



Independent review certificate

Kompan A/S
C. F. Tietgens Blvd. 32C, 5220 Odense SØ

Bureau Veritas hereby attests that the CO₂e-calculations (covering materials, processing, waste and transport) done by Kompan for "Nature Play", meet the requirements set by the listed standard.

Kompan A/S uses a selection of EPDs and emission factors from the Life Cycle Assessment database Ecoinvent 3.11. These values are reported as kg CO₂e, with all other impact categories excluded in line with the scope of ISO 14067:2018. The emission factors cover, material use, manufacturing processes, transport to Kompan, and electricity used during manufacturing. The presented emissions fall under GHG Protocol scope 3 emissions. Scope 1 and 2 are not presented. Scope 3 emissions include emission sources in the upstream value chain of a company, downstream emissions are excluded in this analysis.

Method: ISO 14067:2018 using GHG protocol guidance documents, reported as kg CO₂e.

Object

The verification has been done on the one pager "NRO40901-0601" version: 27-10-2025. The supporting documentation "KOMPAN data_updated emissions factors_2025_V2" and "Emissions factors, EPD's and ecoinvent 3.11_2025" was also reviewed and approved.

Declaration

The verification has been completed as a critical review with a limited assurance. I hereby confirm that nothing has come to the reviewer's attention which would lead to conclude that the study does not give an accurate depiction or isn't completed following method of the CO₂e calculation, the requirements of ISO 14067:2018, and 14071:2024, in the above referenced documentation.

Note: This verification only covers calculation elements according to method described in ISO 14067:2018 and may not be seen as a Life Cycle Assessment according to ISO 14067:2018.

Ref.: Kompan_Verification report 2025, 28-10-2025

Date of certificate: 29-10-2025

Expire date: 29-10-2027

Verified by: Julie Marie Vejsgaard Larsen, Environmental Auditor

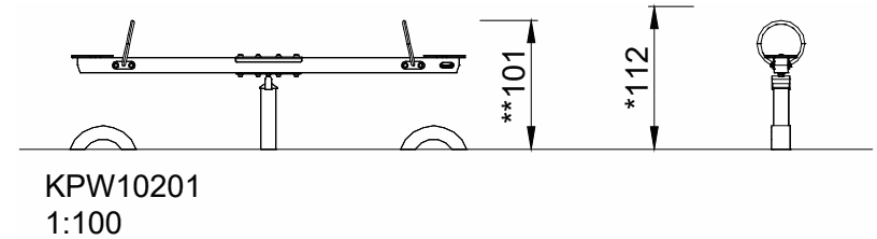
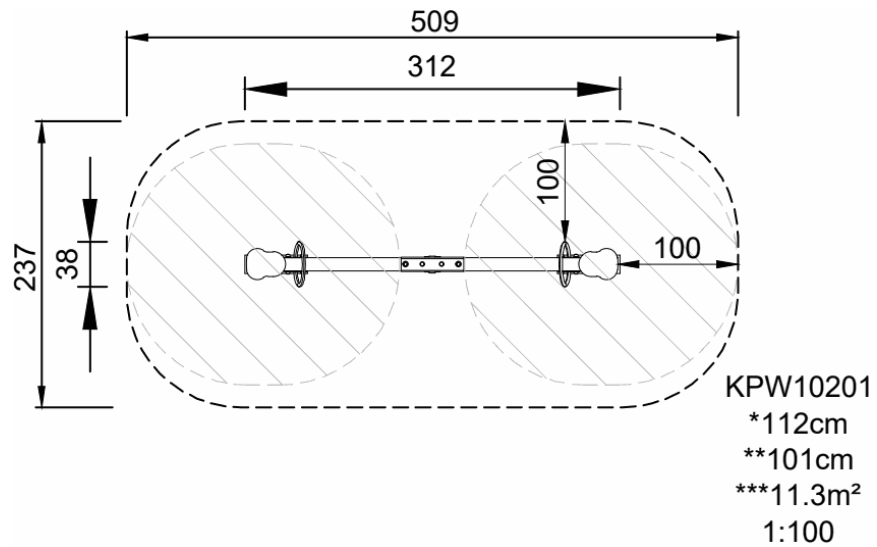
Signature:

Grasshopper Seesaw, 2 Seats

KPW10201

* Max fall height | ** Total height | *** Safety surfacing area

* Max fall height | ** Total height



[Click to see TOP VIEW](#)

[Click to see SIDE VIEW](#)