

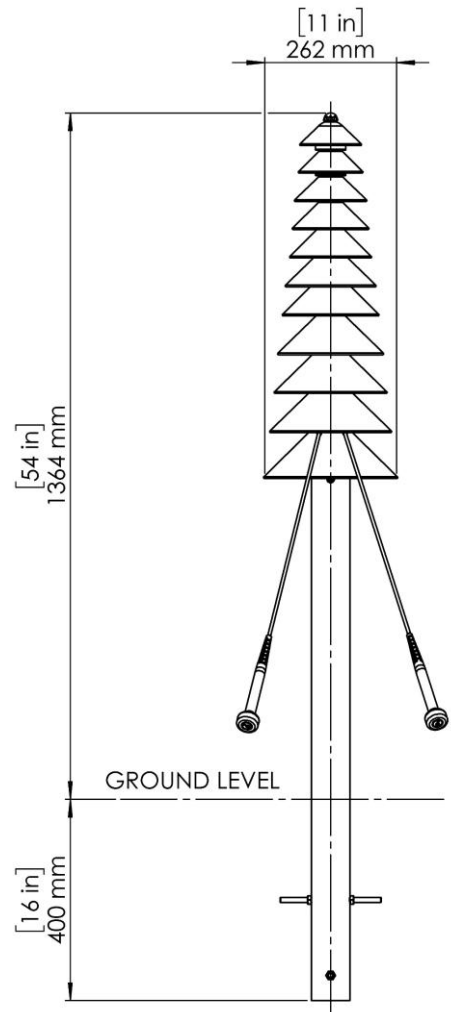


SYLVAN BELL-TREE TALL (PP-STRE-M-GF)

Sylvan Bell-Trees are outdoor percussion instruments available in three sizes, each featuring vertically arranged bells mounted on stainless-steel posts. Played with supplied mallets, each bell is activated individually along the height of the instrument. Suitable for ground or surface mounting, Bell-Trees can be installed individually or as a group of three.



Surface Fix: Ground Fix:	16 KG / 35 LBS 13 KG / 29 LBS
Materials	Bells : Aluminum PC Legs : Stainless Steel Fixings : Stainless Steel
Tuning	E-Minor Pentatonic(E4-E6)
Sound Level Data	50M – 47dB 10m – 65dB <3m – 72dB
Warranty Download	
View On Website	



Wheelchair
Accessible



Suitable for concreting
into the ground



Suitable for surface
fixing



Tethered mallets
supplied

