

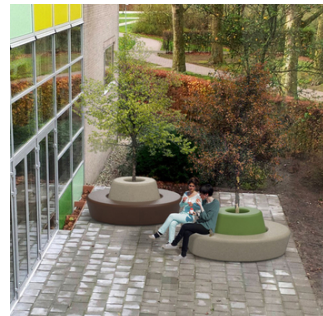
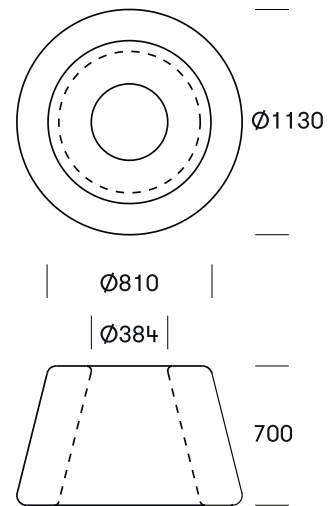
FACTS

LOOP CONE BACKREST

169

Loop Cone is a multi-purpose unit. When positioned in the middle of a Loop it becomes a backrest as well as a planter. On its own it becomes a self-contained up- or downward facing planter.

Design: AART Designers



TECHNICAL DATA

Material

Rotation moulded polyethylene, 6mm thick, dyed. Moulded in one piece. UV-resistant, stands up to weather, wear and tear. The material is suitable for granulation and recycling.

Surfaces and friction

The mould is sandblasted to provide a rough surface to increase friction and minimize slippage on the surface of the final product.

Dimensions

Outside diameter: Ø1130mm/Ø810 x H700mm. Inside diameter: Ø720/380mm

Inner volume for e.g. plants: 170L

Combinations

Loop Cone works as a self-contained table or planter or combines with #135 Loop, #137 Loop Arc, and #157 HopOp500.

Mounting

Loop Cone may be filled with water or sand through an integrated pipe or attached to the ground with fittings.

Maintenance

This product withstands most cleaning agents and chemicals and can be cleaned using a high-pressure cleaner. The colour can be revived using vinyl cleaner or similar

Family

Loop, Loop Arc, Loop Line, Loop Light, Loop Corner

Product code

169 0101 Loop Cone red / 26kg
 169 0102 Loop Cone limegreen / 26kg
 169 0103 Loop Cone orange / 26kg
 169 0104 Loop Cone yellow / 26kg
 169 0109 Loop Cone purple / 26kg
 169 0111 Loop Cone sandstone / 26kg
 169 0113 Loop Cone grey / 26kg
 169 0117 Loop Cone blue/ 26kg
 169 0115 Loop Cone pastel blue / 26kg
 169 0116 Loop Cone mokka brown / 26kg
 169 0118 Loop Cone olive green / 26kg
 169 0150 Loop Cone white / 26kg

Standard colours (approx. RAL)



Red: RAL 3020



Orange: RAL 2003



Limegreen: RAL 120 70 60

Variant colours (approx. RAL)



Yellow: RAL 1018



Purple: RAL 4004



Sandstone



Grey: RAL 7015



Blue: RAL 5010



Pastel blue: RAL 5024



Mokka brown: RAL 8028



Olive green: RAL 6025



White: RAL 9003

B13 Connection and fixation bracket f. Cone-Loop