

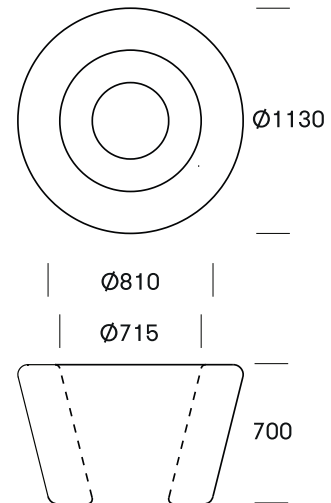
# FACTS

## LOOP CONE PLANTER

### # 169

These colourful, conical XL planters help create a cheerful atmosphere inside and out. Place them in squares, schools, courtyards, urban spaces or shopping areas to make these settings green and welcoming.

Design: AART Designers



# TECHNICAL DATA

## Material

Rotation moulded polyethylene, 6 mm thick, dyed. UV-resistant, stands up to weather, wear and tear. The material is suitable for granulation and recycling.

## Surfaces and friction

The products have a textured/granulated surface due to abrasive blasting of the mold. This process enhances the friction and makes the surface less slippery.

## Dimensions

Top: Ø1130mm / Bottom: Ø810mm / H700mm

## Mounting

For surface fixation or fill with water/sand. Brackets to be ordered separately. Please see mounting instruction.

## Maintenance

This product withstands most cleaning agents and chemicals and can be cleaned using a high-pressure cleaner. The colour can be revived using vinyl cleaner or similar.

## Family

Loop, Loop Light, Loop Arc, Loop Line, Loop Corner, Loop Picnic

## Product code

169 0101 Loop Cone red / 26kg  
 169 0102 Loop Cone lime green / 26kg  
 169 0103 Loop Cone orange / 26kg  
 169 0104 Loop Cone yellow / 26kg  
 169 0109 Loop Cone purple / 26kg  
 169 0111 Loop Cone sandstone / 26kg  
 169 0113 Loop Cone grey / 26kg  
 169 0117 Loop Cone blue / 26kg  
 169 0115 Loop Cone pastel blue / 26kg  
 169 0116 Loop Cone mokka brown / 26kg  
 169 0118 Loop Cone olive green / 26kg  
 169 0150 Loop Cone white / 26kg

B11 Bracket for surface mounting

## Standard colours (approx. RAL)



Red: RAL 3020



Orange: RAL 2003



Lime green: RAL 120 70 60

## Variant colours (approx. RAL)



Yellow: RAL 1018



Purple: RAL 4004



Sandstone



Grey: RAL 7015



Pastel blue: RAL 5024



Blue: RAL 5010



Mocha brown: RAL 8028



Olive green: RAL 6025



White: RAL 9003