

FACTS

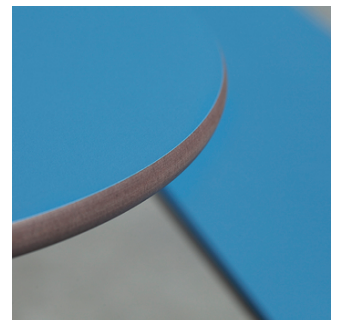
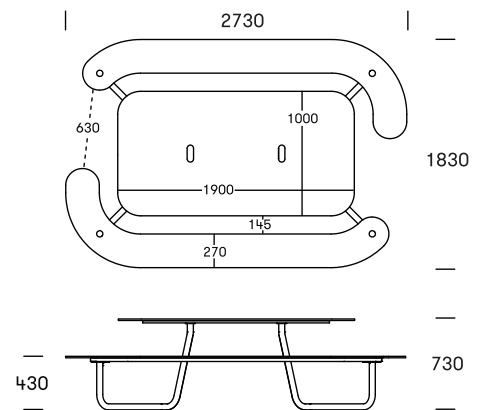
PLATEAU-L # 177

PLATEAU presents a stringent - almost graphic - expression firmly rooted in the Scandinavian design tradition. Designed to provide numerous seats in socially oriented formations, Plateau is produced from durable materials requiring no other maintenance than soap and water.

Three available models provide accessibility for all kinds of users. Combining the models in different ways provides a variety of solutions both functionally and aesthetically.

Plateau L has two benches providing staggered access to the table along a flat diagonal with each bench forming a letter L. This allows easy access for the walking impaired. Seats 8-10.

Design: Holscher Design



TECHNICAL DATA

Material

Seat/tabletop: robust, multi-layered and dyed 12mm HPL (High Pressure Laminate) available in 6 colours. Highly UV- and weather-resistant, solid mechanical quality and durability. Frame: Hot galvanized steel or hot galvanized steel + textured, anthracite powder-paint. Approx. colour code RAL 7024. Disc: Bead blasted stainless steel.

Dimensions

L2730 x B1830 x H730mm
Seats 8-10.

Fixation

4 x Ø14mm holes. For surface fixation.

Variant

Frame + HPL are available in other colours.

Family

[Plateau O](#)

10-12 seats, elliptical bench

[Plateau I](#)

6-8 seats, open access, wheel chair friendly

Maintenance

Maintenance-free and easy to clean. Graffiti removes easily. All parts can be individually replaced in case of vandalism.

Product code

177 1174 Plateau L, grey white HPL/galv./122 kg

177 1101 Plateau L, mars red HPL/galv./122 kg

177 1118 Plateau L, olive HPL/galv./122 kg

177 1105 Plateau L, steel blue HPL/galv./122 kg

177 1100 Plateau L, corro HPL/galv./122 kg

177 1108 Plateau L, anthracite HPL/galv./122 kg

177 1274 Plateau L, grey white HPL/paint./122 kg

177 1201 Plateau L, mars red HPL/paint./122 kg

177 1218 Plateau L, olive HPL/paint./122 kg

177 1205 Plateau L, steel blue HPL/paint./122 kg

177 1200 Plateau L, corro HPL/paint./122 kg

177 1208 Plateau L, anthracite HPL/paint./122 kg

Standard colours (approx. RAL)



Anthracite: RAL 7024



Grey white: RAL 9002



Corro: RAL 8011



Steel blue: RAL 5024



Olive: RAL 6013



Mars red: 3020